



## FLUOROLINE™ P1000, P1500 AND P3000 DISPOSABLE FILTERS

*High-performance, cost-effective disposable filters for low-flow applications*

### Overview

Fluoroline™ P disposable, high-performance filters provide optimum performance in low-flow applications at flow rates up to five liters per minute. Constructed entirely of fluoropolymers, these cost-effective filters provide compatibility with a wide range of acids, bases and nonflammable solvents at ambient temperature.

#### Compact, Clean Design – Less Handling

A compact size permits space-saving, and Super Type Pillar® fittings and Flaretek® fittings allow installation flexibility. Filter changeout time is reduced due to the convenient disposable design which also minimizes exposure to chemicals.

#### Superior Manufacturing

- Manufactured in a world-class, ISO 9001 Quality Systems Standard facility
- Manufactured, tested and packaged in a cleanroom to ensure product cleanliness



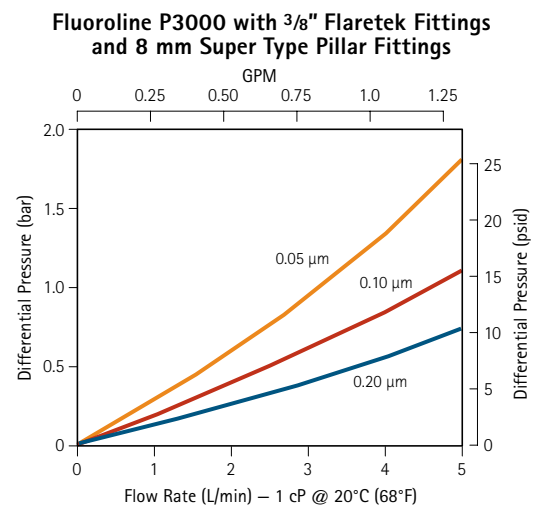
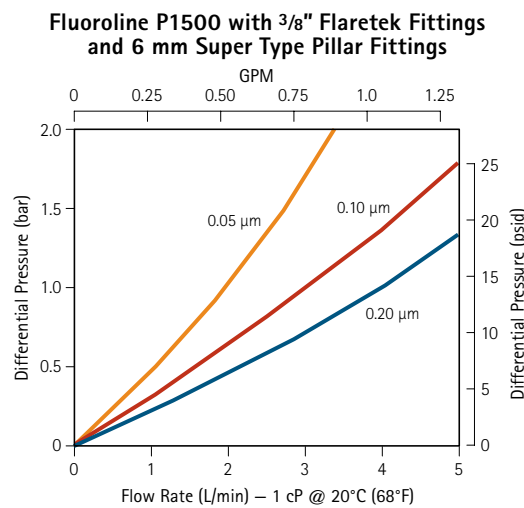
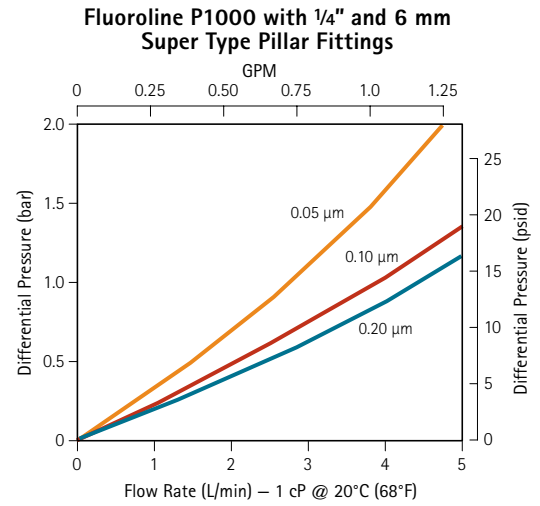
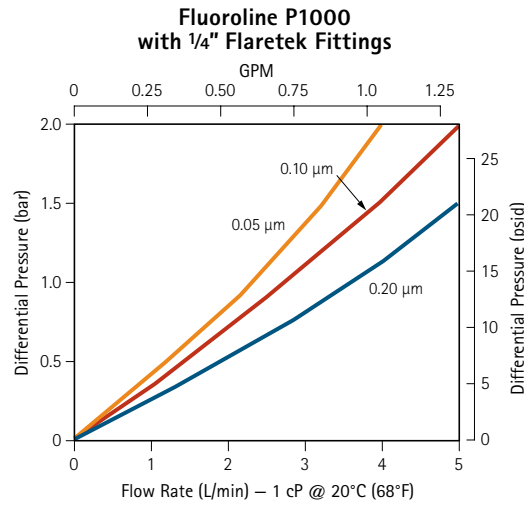
### Features and Benefits

Features	Benefits
High-performance membrane	High retention, superior flow. Delivers low particle chemicals quickly to the point-of-use.
Available in retention ratings of 0.05 µm, 0.1 µm and 0.2 µm	Provides excellent small particle retention to ensure minimal particles remain on wafer surface.
Super Type Pillar fittings and Flaretek-compatible fittings	Installation flexibility. Makes retrofit easy and inexpensive.
All-fluoropolymer construction	Low extractables. Does not contaminate pure processes.
Compact, disposable unit	Requires less space for changeout. Allows quick installation and minimizes downtime while limiting the handling of hazardous chemicals during the installation and disposal processes.

## Specifications

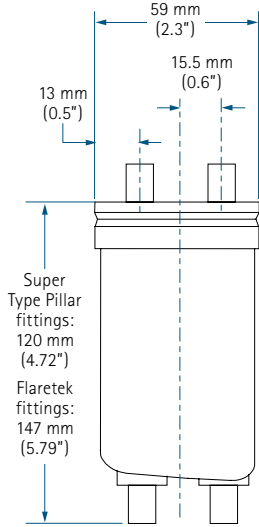
Materials:	Membrane	PTFE
	Supports, molded parts	PFA
Membrane surface area:	P1000	1,000 cm <sup>2</sup>
	P1500	1,300 cm <sup>2</sup>
	P3000	3,000 cm <sup>2</sup>
Maximum operating conditions:	Maximum inlet pressure	0.40 MPa (4.0 bar, 60 psi) @ 25°C
	Maximum forward differential pressure	0.35 MPa (3.5 bar; 50 psid) @ 25°C
	Maximum reverse differential pressure	0.29 MPa (2.9 bar; 42 psid) @ 25°C

## Performance Data

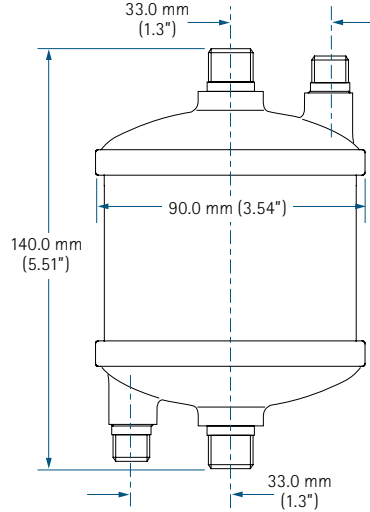


## Dimensions

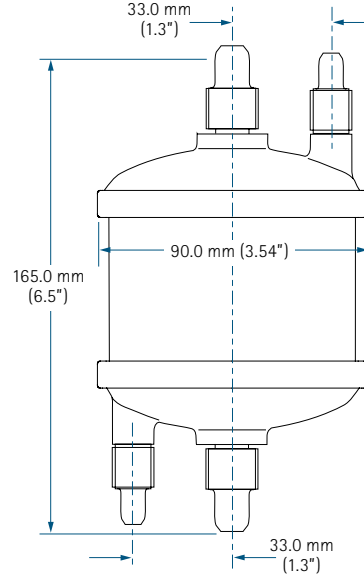
**Fluoroline P1000**



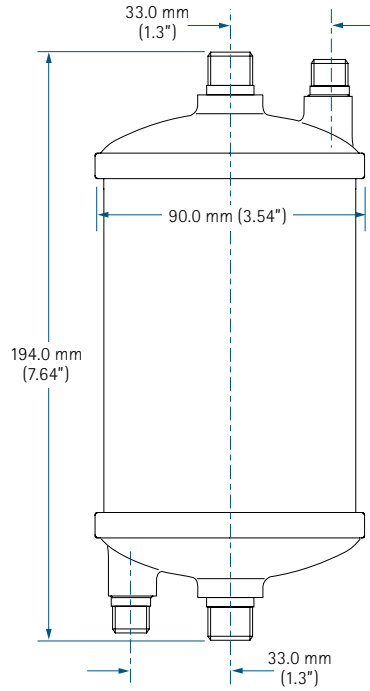
**Fluoroline P1500  
8 mm Super Type Pillar Fittings**



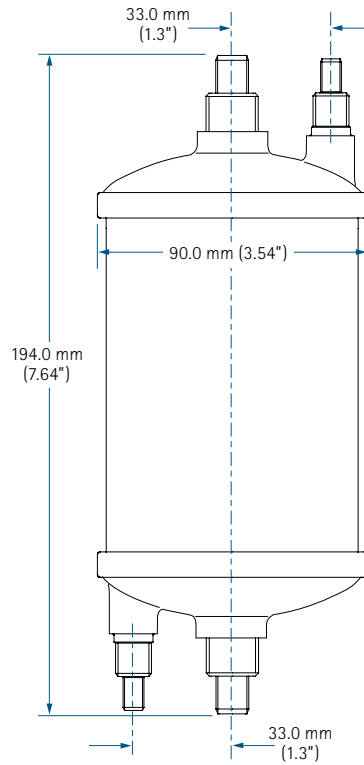
**Fluoroline P1500  
3/8" Flaretek Fittings**



**Fluoroline P3000  
8 mm Super Type Pillar Fittings**



**Fluoroline P3000  
3/8" Flaretek Fittings**

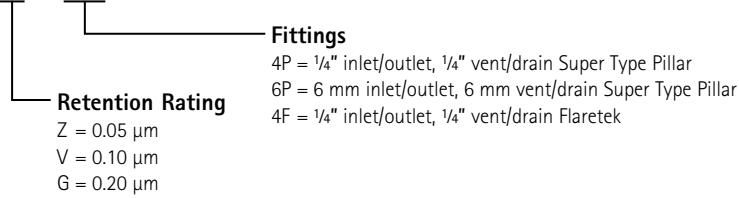


## Ordering Information

### Fluoroline P1000 Disposable Filters

#### Part Number

PFF 01P

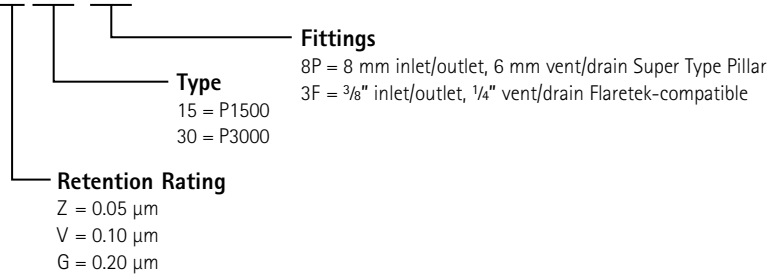


### Fluoroline P1500/P3000 Disposable

#### FiltersPart Number

PFF

P



## For More Information

Please call your Regional Customer Service Center today to learn what Entegris can do for you. Visit [www.entegris.com](http://www.entegris.com) and select the Customer Service link for the center nearest you.

## Terms and Conditions of Sale

All purchases are subject to Entegris' Terms and Conditions of Sale. To view and print this information, visit [www.entegris.com](http://www.entegris.com) and select the Legal Notices link from the footer.

Entegris®, the Entegris Rings Design®, Flaretek® and Fluoroline™ are trademarks of Entegris, Inc. Pillar® is a trademark of Nippon Pillar Packing Company, Ltd.

#### ENTEGRIS, INC.

Corporate Headquarters | 129 Concord Road | Billerica, MA 01821 USA  
Customer Service Tel. +1 952 556 4181 | Customer Service Fax +1 952 556 8022  
In North America 800 394 4083 | [www.entegris.com](http://www.entegris.com)